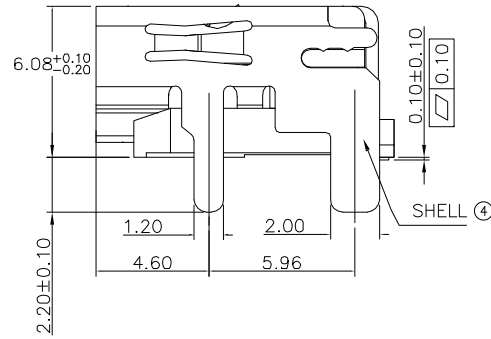
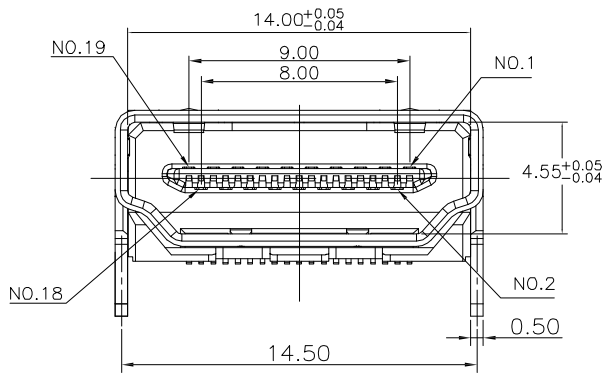
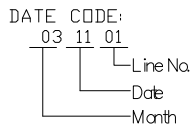
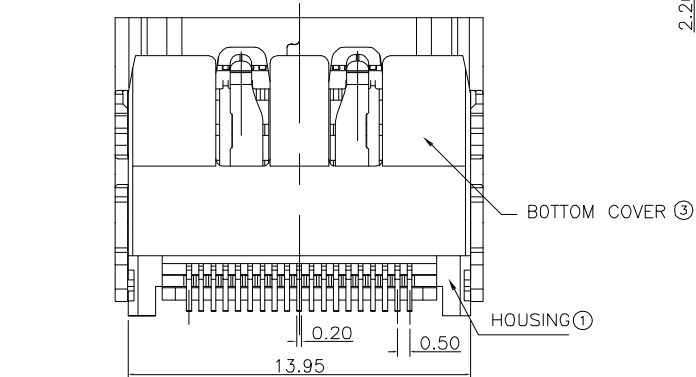
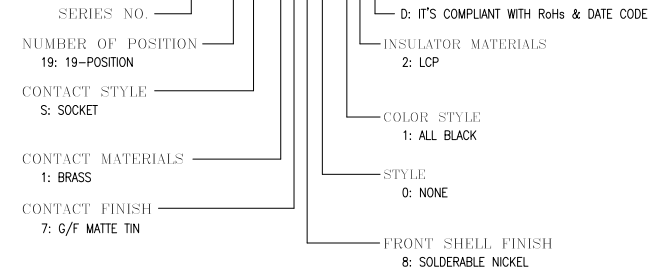


3D VIEW

- MATERIAL:
Housing:LCP, UL 94V-0, Color:Black.
Terminal:Copper Alloy.
Shell:SPCC.
- FINISH:
Terminal:Gold Plated over Nickel at Contact Area.
Tin Plated over Nickel at Solder Ared.
Shell:Nickel Plated.
- This Product is RoHS Compliance Product.



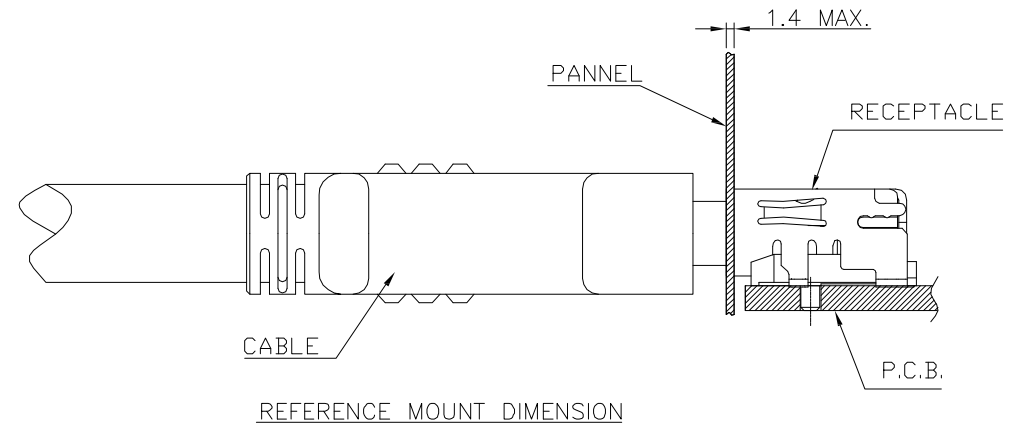
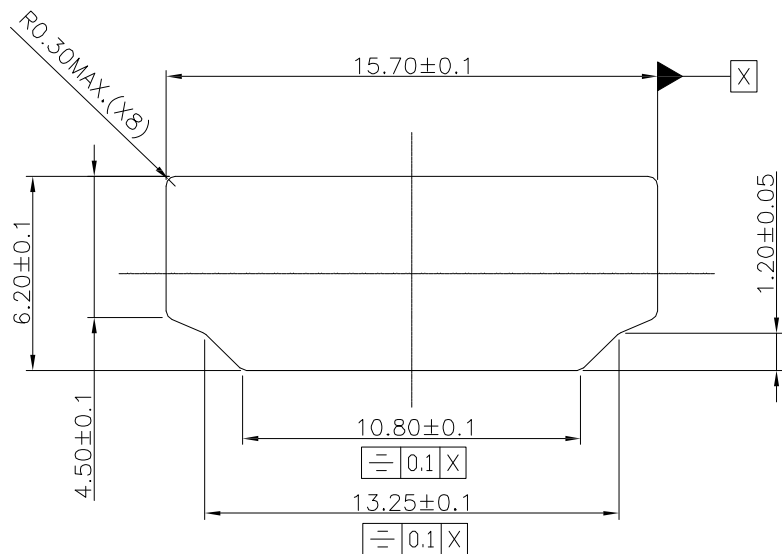
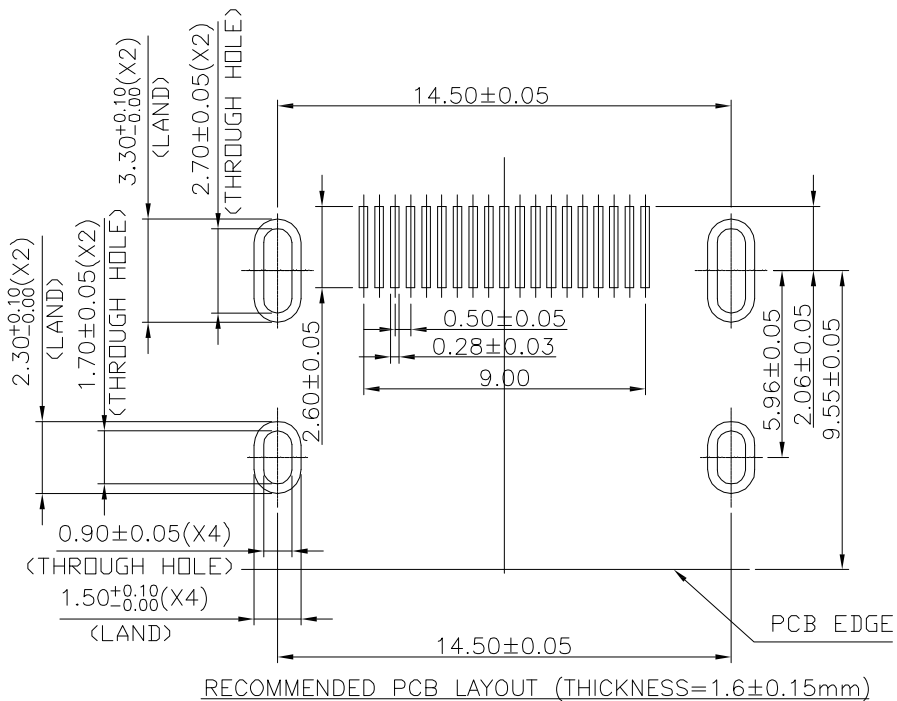
THD1XXX 1XX00XXD0



4	SHELL	1PCS	BRASS OR SPCC	PLANTING Ni	
3	BOTTOM COVER	1PCS	HIGH TEMPERATURE	BLACK	
2	TERMINAL	1SET	COPPER ALLOY	GOLD PLANTING	
1	HOUSING	1PCS	HIGH TEMPERATURE	BLACK	
ITEM	PART NAME	Q'TY	MATERIAL	FINISH	NOTE

A0		An issue.		2021.01.04		FEN YING [®]		ENTERPRISES CO.,LTD	
REV.	CONTENTS			DATE		Title: <u>THD1 SERIES</u>			
	Drawed		Shao Jianfeng			HDMI A TYPE SMT CONN			
	Designed		He Wei						
	Approval		Lee Jun De						
Scale		1:1	Size		A4	File NO.		C-ED-B-THD1-001	
SHEET		1/2	Units		mm	Drawing NO. THD119S1780012N0			

UNLESS OTHERWISE SPECIFIED TOLERANCE
mm: .0 = ±0.30
.00 = ±0.20
.000 = ±0.10
Ang: 0.0 = ±2'



SPECIFICATIONS:

1. MECHANICAL:

- 1.1 WITHDRAWAL FORCE AFTER 2000 CYCLES: 39.2N MAX,9.
- 1.2 WITHDRAWAL FORCE AFTER 2001-10000 CYCLES:4.9N Min
- 1.3 INSERTION FORCE:44.1N Max.

2. ELECTRICAL:

- 2.1 CONTACT CURRENT RATING: 0.5A MIN.
- 2.2 VOLTAGE RATING: 40V AC(RMS)
- 2.3 WITHSTANDING VOLTAGE:
 - 500 VOLTS AC BETWEEN ADIACENT TERMINAL(UNMATE)
 - 300 VOLTS AC BETWEEN ADIACENT TERMINAL(MATE)
- 2.4 INSULATION RESISTANCE:
 - 100 MOHM MIN.(UNMATED); 10 MOHM MIN.(MATED)
- 2.5 CONTACT RESISTANCE: 30 MILLIOHMS MAX.

3. ENVIRONMENTAL:

- 3.1 OPERATING TEMPERATURE: -25°C TO +85°C
- 3.2 STORAGE TEMPERATURE: -20°C TO 60°C

				FEN YING®	
				ENTERPRISES CO.,LTD	
A0	An issue.	2021.01.04		Title: <u>THD1 SERIES</u>	
REV.	CONTENTS	DATE			
	Drawn	Shao Jianfeng		HDMI A TYPE SMT CONN	
	Designed	He Wei			
	Approval	Lee Jun De			
UNLESS OTHERWISE SPECIFIED TOLERANCE mm: .0 = ±0.30 .00 = ±0.20 .000 = ±0.10 Ang: 0.0 = ±2°		Scale	1:1	Size	A4
		SHEET	2/2	Units	mm
		File NO.	C-ED-B-THD1-001		
		Drawing NO.	THD119S1780012N0		